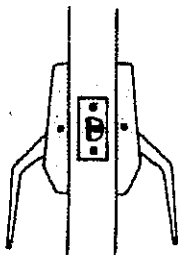
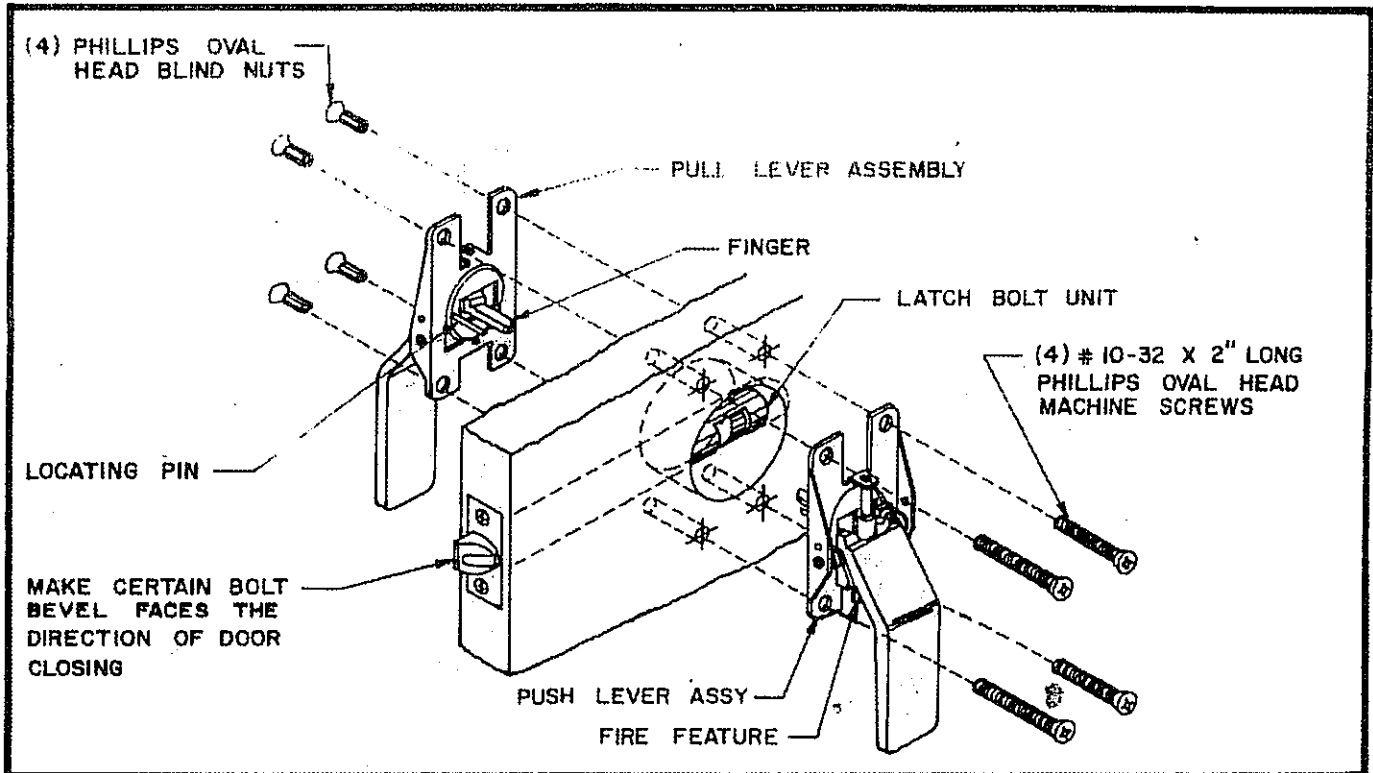


# Push-Pull Latch

## Installation Instructions

1. Place Latch Bolt Unit in door making sure bolt bevel faces direction of door closing. Attach front with two (2) #8-8-32 screws.
2. Position Lever Assemblies so that Locating Pin and Cam Arm enter into corresponding holes in Latch Bolt Unit. Attach Lever Assemblies by thru bolting onto door with four (4) #10-32 x 2" long Phillips Oval Head Machine Screws and four (4) Phillips Oval Head Blind Nuts (For 1 3/4" doors only. Use included flat washer behind the screw head.) For purpose of alignment do not tighten screws until all four (4) screws have been started. See Figure 1.
3. Note position of Covers in Figure 2. Apply Covers and fasten with two (2) screws for each cover.
4. Insert Strike Box in mortise and attach strike with two (2) #8-8-32 screws.



311D  
(AY-99/AZ-00)

### NOTES

- 1) THERE ARE TWO STRIKE SIZES STANDARD.  
A) ANSI A115.2 #18-4 7/8" X 1 1/4" X 1 1/4" CURVED LIP  
B) ANSI A115.3 #14-2 3/4" X 1 1/8" X 1 1/4" CURVED LIP
- 2) AVAILABLE BACKSETS. 2 3/4" AND 5"
- 3) SCREW SIZE AVAILABLE ACCORDING TO STRIKE SIZE.  
A) #12 X 3/4" FHPH COMB. SCREW FOR A115.2 STRIKE  
B) #8 X 3/4" FHPH COMB. SCREW FOR A115.3 STRIKE

### TO CHANGE HAND OF EACH LEVER ASSEMBLY:

1. Remove Cam Pivot Pin.
2. Remove Cam and reverse its operation.
3. Replace Cam Pivot Pin.
4. Remove Locating Pin and relocate on opposite side. Drive in 1/8".
5. After mounting, adjust hex socket head screws in lever to eliminate free play between lever latch bolt.

#### **NOTE:**

Push-Pull Latchsets are assembled for right or left hand doors.  
Be sure correct hand matches door application.

